



Built-in

Faber built-in gas fires are a statement in themselves. First and foremost because of a fabulously burning fire and the most beautiful finish with life-like decorative logs or modern pebbles. In addition because of the top-quality choice of materials that guarantee years of safe and problem-free enjoyment. Particularly when you operate the fire remotely with a control unit or from your own smartphone.

Faber gas fires are available in a surprising number of versions, dimensions and finishes so you can choose what is best suited to your taste and interior decoration. The Faber specialist is there for you throughout the entire process!

Did you find your favourite Faber fire? It will be built, set and tested by Faber, specifically for you, before we deliver it to the Faber specialist who will install it in your home.

Premium | Respect OC



Specifications

Exterior dimensions WxHxD in mm
1104 x 1114 x 427

Fire display WxHxD in mm
1006 x 395 x 288

System
Step Burner

Decoration
Log set or White Pebble

Back walls
Black glass back wall

Remote
Symax

Power
10,8 kW

Operating system
Mertik

Energy label
D

Options (at a surcharge)
-



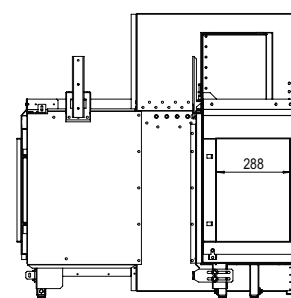
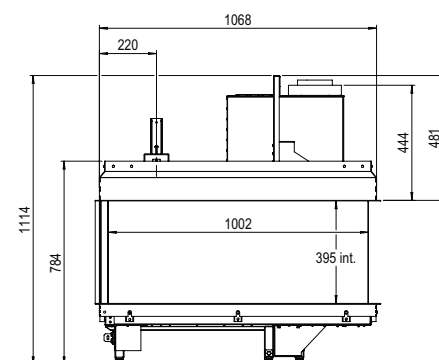
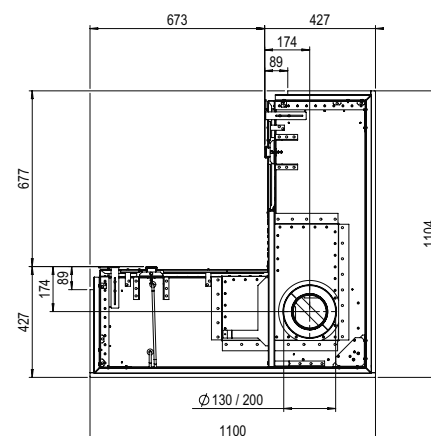
DECORATION OPTIONS



More product information?



Flue material
130/200



There is **so much to tell...**