



Matrix  
LINEAR

# Matrix Linear

Our Linear Fire models offer a lavish fire effect over almost the full width of the fire and that is true for every flame height. Even with a minimum heat output, the flames of this model look fabulous. There is a choice of three inset widths, each of them in three versions and with various interior decorations.



## Why opt for the Matrix Linear?

- Extra wide and low gas fire; up to 130 cm of flames!
- Double row of individually adjustable burners; for more intensive flames and added heat output,
- Choice of luxury ceramic log set or white Carrara pebbles for an extra modern and luxurious look;
- Adjustable heat output; from maximum 10 to minimum 4 KW.
- Available in various sizes and as front, 2 and 3-sided models.

Scan me



Discover!

In other words: an impressively sized fire with fantastic flames.



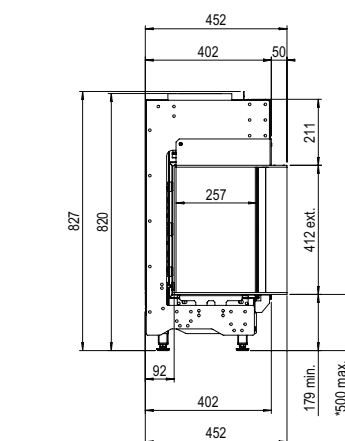
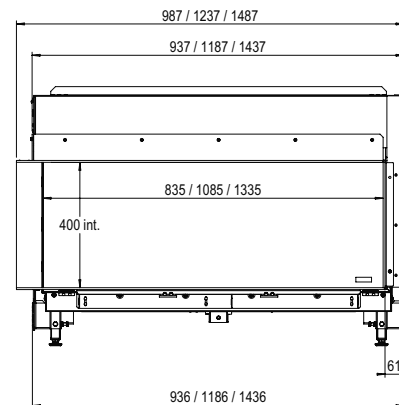
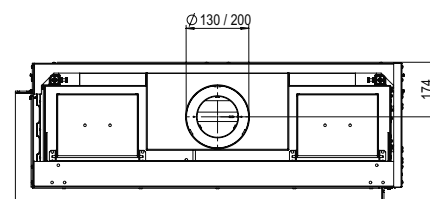
**DECORATION OPTIONS**



More product information?



**Flue material**  
130/200



\* incl. optional adjustable feet

**Specifications**

**Exterior dimensions WxHxD in mm**  
987 x 827 x 452

**Fire display WxHxD in mm**  
835 x 400 x 257

**System**  
Double Line Burner

**Decoration**  
Log set or White Pebble

**Back walls**  
Back wall smooth steel

**Remote**  
Via app and ITC Remote

**Power**  
7,1 kW

**Operating system**  
Honeywell

**Energy label**  
B

**Options (at a surcharge)**  
Black glass back wall  
Non-reflective glass  
Adjustable feet  
Wall bracket

