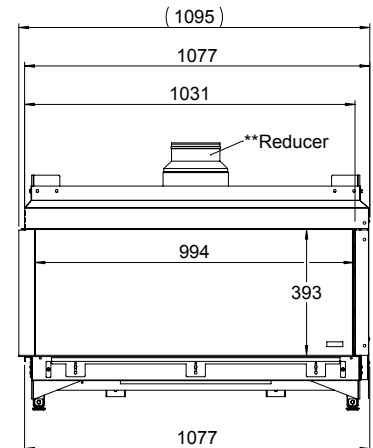
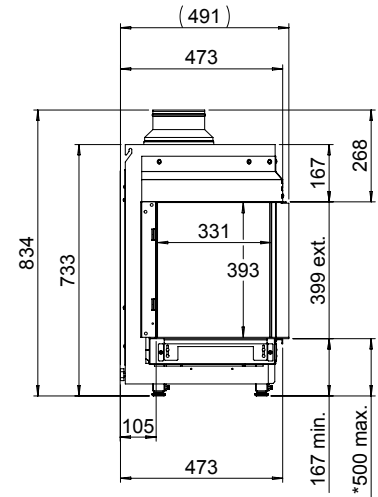
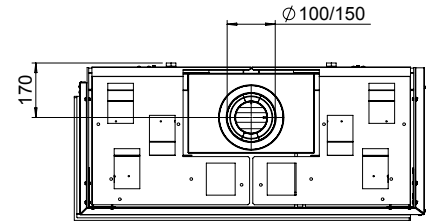


Smart | Duet L



ENERG
енергия · енерґія · energia · energy · energie · energi

Faber **Duet Smart L**

A++
A+
A
B
C
D
E
F
G

B

9,2 kW

ENERGIA · ЕНЕРГИЯ · ΕΝΕΡΓΕΙΑ · ENERGIA · ENERGY · ENERGIE · ENERGI

2015/1186

Specifications Smart Duet L

Type	Built-in
Model	Two-sided model
Exterior dimensions WxHxD in mm	1095 x 834 x 492
Fire display WxHxD in mm	994 x 393 x 331
System	Flat Burner®
Decoration	Log set
Back walls	Smooth steel
Remote	GV60
Power (kW)	9,2
Operating system	Mertik
Energy label	B

For more information, please take a look at the website

www.faberfires.com

There is **so much to tell...**