

Vaska Logburner



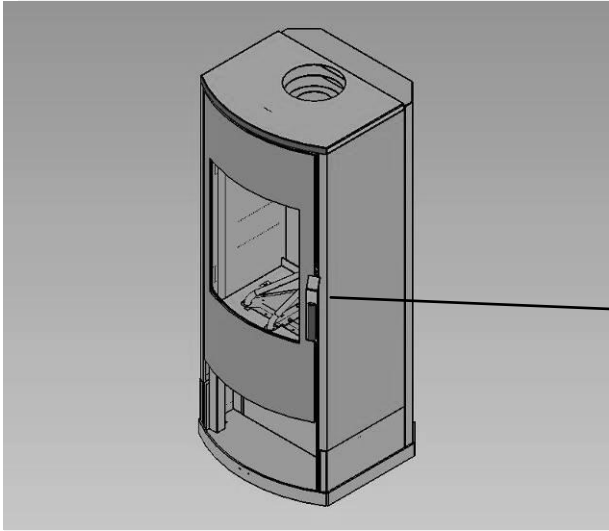
40010627-2103

ENG

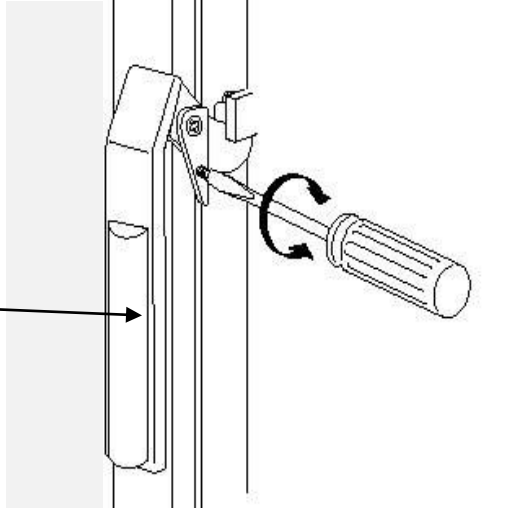
Installation guide

ENG

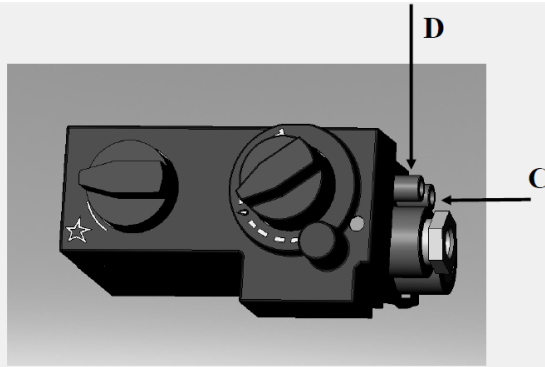
 **faber**



1.1



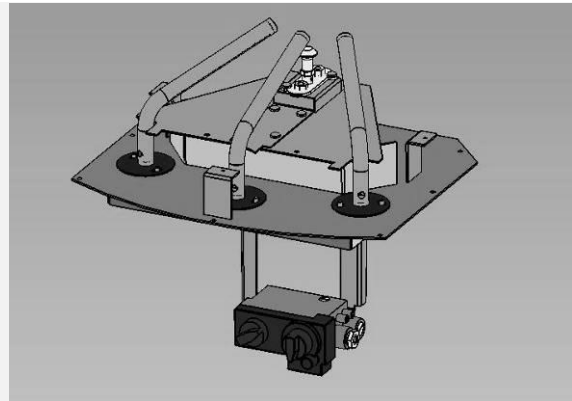
1.2



1.3



1.4



1.5

1 Introduction

The appliance can only be installed by a competent person in accordance with the Gas Safety. We urgently advise you to read this installation manual properly.

This appliance complies with the guidelines for European gas appliances (Gas Appliances Directive) and bears the CE mark.

2 Safety instructions.

- The appliance should be placed, connected and annually checked in accordance with these installation instructions and valid national and local Gas Safety (Installation and Use) Regulations .
- Check whether the data on the registration plate are in agreement with the local type of domestic gas and pressure.
- The fitter is not permitted to change these adjustments or the construction of the appliance!
- Do not place any additional imitation logs or glowing coals on the burner or in the combustion chamber.
- The appliance has been designed for ambience and heating purposes. This means that all surfaces of the appliance , including the glass, can become very hot (hotter than 100 °C). An exception to this are the bottom of the appliance and the controls.
- Do not place any inflammable materials within a of 0.5 m. of the

radiation of the appliance and ventilation grills.

- Due to natural air circulation of the appliance, moisture and volatile components from paint, building materials, floor coverings etc. that haven't yet set, can be drawn through the convection system and can be deposited on cold surfaces as soot. That is why you should not use the appliance shortly after a renovation.
- The first time the appliance is switched on, Let the fire run on maximum setting for several hours so that the lacquer coating will have an opportunity to set and possible vapours released can be safely removed by ventilation. We advise you to be outside the room as much as possible during this process!
- Please note that:
 - 1 all transport packaging should be removed.
 - 2 children or pets should not be present in the room.

3 Installation requirements

3.1 Minimum distance around the fire

Keep in mind that there has to be a minimal distance of 30 cm between the side of the appliance and a wall. At the backside there has to be a minimal distance of 7 cm.

3.2 Requirements flue system and outlets

- You should always make use of the materials prescribed by Faber International Ltd. Only by using these materials can Faber International Ltd. guarantee a proper functioning.
- The outside of the concentric flue material can reach a temperature of Approx 150° C. Make sure of proper insulation and protection in case of transit through combustible wall or ceiling constructions. And observe sufficient distance.
- Make sure that the concentric flue materials are bracketed every 2 metres when they have an extended length, so that the weight of the flue material is not resting on the appliance itself.
- You may never start with a cut-down concentric pipe directly on to the appliance.

3.3 terminals

The flue outlet can end on an external wall or a roof . Check whether the outlet desired by you complies with local requirements concerning good function and ventilation systems .

For a proper functioning the terminal should be at least 0.5 m. away from:

- Corners of the building.
- Roof overhangs and balconies.
- Eaves (with the exception of the roof ridge).

3.4 Existing chimney

You can also connect the appliance to an existing chimney. The existing chimney will function as an air supply and a flexible

stainless steel pipe drawn up through the chimney will remove the combustion gas. The flexible stainless steel pipe of Ø 100 mm should have a CE mark for temperatures up to 600° Celsius.

The chimney should comply with the following requirements:

- The diameter of the flue system must be at least 150x150 mm.
- There should be no more than 1 appliance connected to a flue pipe.
- The chimney must be in good condition
 - No leakage and
 - It should be properly swept.

For more information about connections to existing flue systems, see the manual “connections”.

4 Preparation and Installation instructions

4.1 Gas connection

The gas connection must comply with locally valid standards.

We advise Pipe work from the meter to the appliance must be of adequate size., with near the appliance a gas isolater tap that should always be accessible. Place the gas connection in such a way that this is easily accessible, and that before service, the burner unit can be disconnected at all times.

4.2 Electric connection

If an adapter is used for the power supply, then a wall socket 230VAC - 50Hz must be mounted in the close neighbourhood of the fire

4.3 Preparation of the appliance

- Remove the packaging of the appliance . Make sure the gas pipes underneath the appliance are not damaged.
- Clear a safe space to store the frame and the glass.
- Remove the frame , (if necessary) and the glass and take the separately wrapped parts out of the appliance
- Prepare the gas connection to the gas control valve.

4.4 Placing the appliance

Take the installation requirements into account (see chapter 3)

4.5 Mounting the smoke emission outlet materials

- In case of a wall or roof terminal, the hole must be at least 5 mm bigger than the diameter of the flue material.
- Horizontal parts must be installed at a (3 degree) slope up away the appliance.
- Build up the system from the appliance. If this is not possible, you should make use of a adjustable pipe .
- For fitting the system a ½ metre cut-down pipe should be used. Make sure the inner pipe is always 2 cm longer than the outer pipe. Wall and roof terminal are also shortened. These parts must be secured with a self tapping screw.
- Do not insulate but ventilate bild-in flue material (approx.100cm²)
-

5 Placing the decorative material

It is not allowed to add different or more materials to the combustion chamber.

Always keep the pilot burner free from decorative material!

5.1 Placing the imitation logs

- Place the imitation logs. Make sure that the logs are properly connected to the tube burners.(see fig. 1.4. or imitation logs instruction card supplied)
- Now divide the vermiculate pebbles and the chips in the combustion chamber. Avoid the covering of the air vent(s).
- Place the glass and check the fire image.

6 Checking the installation.

6.1 Checking the ignition of the pilot burner, main burner.

Start the pilot and main burner according to the instructions in the user's manual.

- Check whether the pilot light is properly positioned above the main burner and is not covered by chips, an imitation log or pebbles.
- Check the ignition of the main burner at full mark or low mark. (the ignition should take place quickly and easily).

6.2 Checking for gas leakage.

Check all connections and joins for possible gas leaks by means of a gas leak detector or spray

6.3 Checking the burner pressure and the pre-pressure

Check whether the burner pressure and the inlet pressure measured agree with the data indicated on the registration plate

Measuring the inlet-pressure:

- Turn off the gas control tap.
- Open the pressure gauge nipple D (see figure 1.3) a few turns and connect a pressure gauge hose to the gas control valve.
- Carry out this measurement when the appliance is on at full gas mark and when it is on the pilot light.
- If the inlet pressure is too high you are not permitted to connect the appliance.

Measuring the burner pressure:

Only perform this measurement if the inlet-pressure is correct.

- Open the pressure gauge nipple C (see fig. 1.3.) a few turns and connect a pressure gauge hose to the gas control valve.
- The pressure must agree with the value indicated in this installation manual chapter 12 technical data, In case of deviations, get in touch with the manufacturer.

*** Close the pressure gauge nipples and check these for gas leaks.**

6.4 Checking the flame picture.

Allow the appliance to burn for at least 20 minutes at full and then check the flame picture for:

1. Distribution of the flames
2. Colour of the flames

If either one or both points are unacceptable, then check:

- The positioning of the imitation logs and/or the quantity of pebbles or chips on the burner.
- The connections of the Flue materials for leakage (in case of blue flames)
 - Whether the correct flue restrictor has been mounted
 - The outlet .
 - Wall terminal is installed correctly
 - Roof terminal is fitted and sited correctly
- The flue system is correctly calculated

7 Instructing the client

- Recommend that the appliance be serviced annually by a competent person in order to guarantee a safe use and a long lifespan.
- Advise and instruct the client about maintenance and cleaning of the glass. Emphasize the risk of burning in fingerprints.
- Instruct the client about the operation of the appliance and the remote control unit, including the replacement of the batteries and adjusting the receiver for initial use.
- Hand over to the client:
 - Installation manual
 - User's manual
 - Imitation logs instruction card

8 Annual maintenance

8.1 Service and cleaning:

- Check and clean if necessary after checking:
 - The pilot light
 - The burner
 - The combustion chamber
 - The glass
 - The logs for possible fractures
 - The outlet

8.2 Replace:

- If necessary the chips/embers.

8.3 Cleaning the glass

Most of the deposits can be removed with a dry cloth. You can use ceramic hob cleaner to clean the glass.

Note: prevent fingerprints on the glass. these will be burned into it once the appliance is used and cannot be removed anymore!

Carry-out the check-up according to the instructions in chapter 6. "checking the installation"

9 Conversion to a different type of gas (e.g. propane)

This can only be done by installing the proper burner unit. for this purpose get in touch with your supplier.

Always mention the type and serial number of the appliance when ordering.

10 Calculation of flue system

The possibilities for the lengths of flue pipes and the possible restrictors have been recorded in a table (see chapter 11.) This table works with a vertical and a horizontal length.

- To define the vertical length all lengths of flue pipes in a vertical direction should be added up.
 - The roof terminal always counts as 1 metre.
- To define the horizontal length all lengths of flue pipes in a horizontal direction should be added up.
 - every 90° bend in the horizontal part counts as 2 metres.
 - every 45° bend in the horizontal part counts as 1 metre.
 - Turns from vertical to horizontal or vice versa are not reckoned in the calculation.
 - The wall terminal always counts as 1 metre.

If there is transit under 45° then the real vertical and horizontal lengths should be calculated.

10.1 Points of particular interest:

- You should never start with a cut-down pipe from the appliance.

10.2 Sample computations

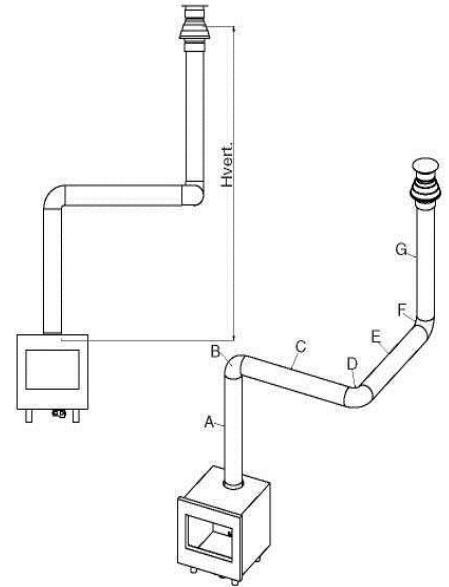
Sample calculation 1

Count the horizontal lengths

Flue pipe lengths	$C+E = 1 + 1$	2 m
Bend	$D = 1 \times 2$ m	2 m
Total		4 m

Count the vertical lengths

Flue pipe length A		1 m
Roof terminal G		1 m
Total		2 m



Sample calculation 2

Count the horizontal lengths

Flue pipe lengths J + L = 0,5 + 0,5		1 m
Bends	$K+ M = 2 + 2$ m	4 m
Wall terminal		1 m
Total horizontal length		6 m

Count the vertical lengths

Flue pipe length H		1 m
Total		1m

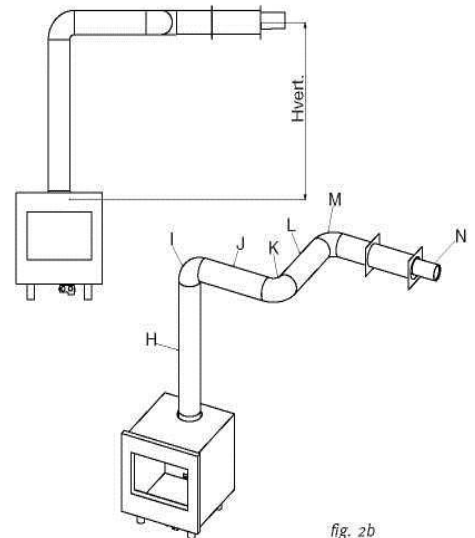


fig. 2b

11 Table

Find the correct vertical and horizontal lengths in the table.

In case of an "x", or if the values are outside the table, the combination is not permitted.

The value found indicates the width of the restrictor to be placed ("0" means no restrictor should be placed).

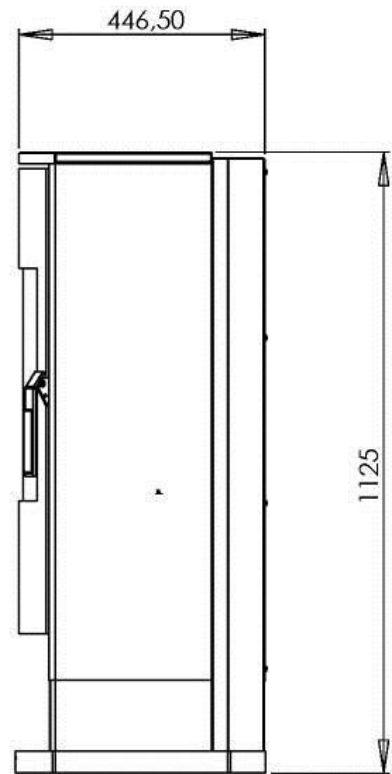
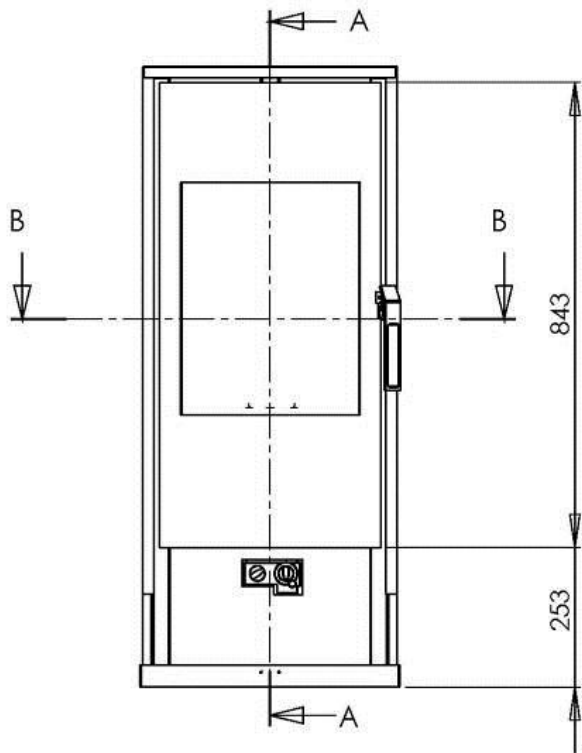
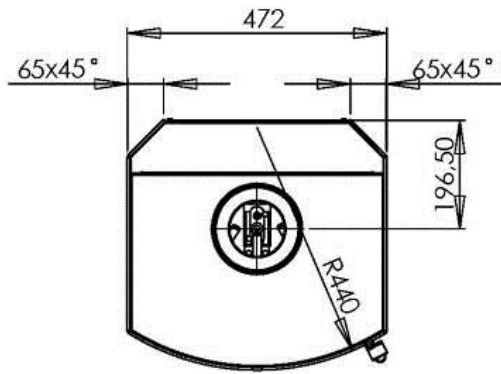
Generally a 30mm restrictor is pre-installed

		Horizontale						
		0	1	2	3	4	5	6
Verticale	0	X	X	X	X	X	X	X
	0.5	0	0	X	X	X	X	X
	1	0	0	0	0	0	0	0
	1.5	30	0	0	0	0	0	0
	2	30	30	0	0	0	0	0
	3	40	30	30	0	0	0	0
	4	40	40	30	30	0	0	0
	5	50	40	40	30	30	0	0
	6	50	50	40	40	30	30	0
	7	60	50	50	40	40	30	X
	8	60	60	50	50	40	X	X
	9	606	60	60	50	X	X	X
	10	65	60	60	X	X	X	X
11	65	65	X	X	X	X	X	
12	65	X	X	X	X	X	X	

12 Technical data

Gascat.		II2H3+	II2H3+	II 2H3+
Type appliance		C11 C31	C11 C31	C11 of C31
Reference gas		G20	G30	G31
Input Nett	kW	6.9	7.1	6.8
Efficiency class		2	2	2
NOx class		5	5	5
inlet-pressure	mbar	20	30	37
Gas rate at 15°C and 1013 mbar	l/h	715	214	273
Gas rate at 15°C and 1013 mbar	gr/h			
Burner pressure at full mark	mbar	10.0	18.0	22.3
Injector main burner	mm	3x1.50	3x0.95	3x0.95
Reduced input restraint	mm	1.8	1.1	1.1
Pilot assembly		SIT 160	SIT 160	SIT 160
Code		Nr51	Nr 30	Nr 30
Diameter inlet / outlet	mm	100/150	100/150	100/150
Gas control valve		GV36	GV36	GV36
Gas connection		3/8"	3/8"	3/8"
Electrical connection	V	220	220	220
Batteries receiver	V	4x AA (1,5V)	4x AA (1,5V)	4x AA (1,5V)
Batteries sender	V	9	9	9

13 Dimension





www.faber.nl - info@faber.nl
Saturnus 8 NL - 8448 CC Heerenveen
Postbus 219 NL - 8440 AE Heerenveen
T. +31(0)513 656500
F. +31(0)513 656501